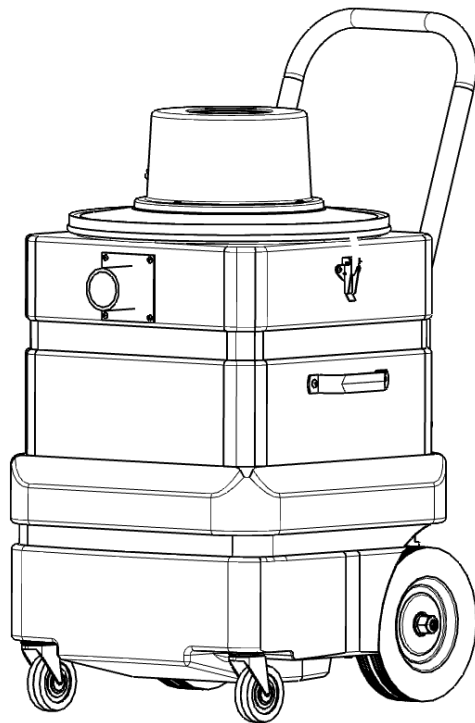


***NIKRO***  
***INDUSTRIES, INC.***

**15 GALLON  
HEPA FILTERED VACUUM  
MODELS #LV15 & LVW15  
INSTRUCTION MANUAL**





All Nikro Industries Inc. products that have rated efficiencies of 99.97% @ 0.3 microns and/or 99.99% @ 0.3 microns, have H.E.P.A. filters that have been individually tested to meet these minimum efficiencies.

Although all the filters have been pre-tested, the possibility of leaks or filter failure due to handling, transportation, punctures, loaded filters, moisture, wear and tear, etc., does exist.

Therefore, when using this equipment in highly sensitive areas or where any release of particles above and beyond the minimum efficiencies would be detrimental and harmful to humans, plants or property; it is strongly recommended that the units be individually tested prior to their use.

This is to assure that they are maintaining the efficiency levels, which they were designed to filter out.

**FAILURE TO DO SO COULD RESULT IN SERIOUS HARM TO HUMAN LIFE, PLANT LIFE AND/OR PROPERTY.**

**“READ AND SAVE THESE INSTRUCTIONS”**

**RISK OF FIRE, ELECTRIC SHOCK, OR PERSONAL INJURY**

1115 N. Ellsworth Ave., Villa Park, IL 60181  
Telephone: 630-530-0558 FAX: 630-530-0740 Toll Free: 800-875-6457

## IMPORTANT SAFETY INSTRUCTIONS

When using an electrical appliance, basic precautions should always be followed, including the following:

**READ ALL INSTRUCTIONS  
BEFORE USING (THIS APPLIANCE)**

**WARNING** – To reduce the risk of fire, electric shock, or injury:

1. Do not leave appliance when plugged in. Unplug from outlet when not in use and before servicing.
2. Do not use outdoors or on wet surfaces
3. Do not allow to be used as a toy. Close attention is necessary when used by or near children.
4. Use only as described in this manual. Use only manufacturer's recommended attachments.
5. Do not use with damaged cord or plug. If appliance is not working as it should, has been dropped, damaged, left outdoors, or dropped into water, return it to a service center.
6. Do not pull or carry by cord, use cord as a handle, close a door on cord, or pull cord around sharp edges or corners. Do not run appliance over cord. Keep cord away from heated surfaces.
7. Do not unplug by pulling on cord. To unplug, grasp the plug, not the cord.
8. Do not handle plug or appliance with wet hands.
9. Do not put any object into openings. Do not use with any opening blocked; keep free of dust, lint, hair, and anything that may reduce air flow.
10. Keep hair, loose clothing, fingers, and all parts of body away from openings and moving parts.
11. Turn off all controls before unplugging.
12. Use extra care when cleaning on stairs.
13. Do not use to pick up flammable or combustible liquids, such as gasoline, or use in areas where they may be present.
14. "Connect to a properly grounded outlet only. See Grounding Instructions."
15. "Do not pick up anything that is burning or smoking, such as cigarettes, matches, or hot ashes."
16. "Do not use without dust bag and/or filters in place."
17. Do not wrap the cord around the dome. Wrapping the cord around the dome will restrict the motor from exhausting properly and will result in overheating and damaging the motor
18. This vacuum cleaner should never be used in explosion-hazardous areas or to pick up combustible or flammable liquids such as gasoline, etc.
19. This vacuum should never be operated without the proper filters installed in the manner described in the following pages of this manual.
20. This machine should never be serviced by anyone other than an authorized technician.
21. This vacuum is for commercial use only.
22. Use only original NIKRO replacement parts and attachments.

# OPERATING INSTRUCTIONS

## INSPECTION

Thoroughly inspect your machine for any shipping damage. Your machine has already been thoroughly tested at the Nikro Industries manufacturing plant prior to shipping.

## ELECTRICAL SPECIFICATION

This machine is designed to operate on a 15 amp, 115V., 60 hz., AC circuit. A deviance of this could cause serious damage to the unit.

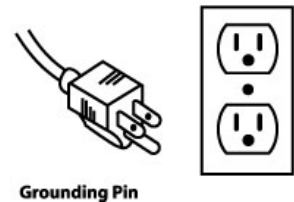
## GROUNDING INSTRUCTIONS

This appliance must be grounded. If it should malfunction or breakdown, grounding provides a path of least resistance for electric current to reduce the risk of electric shock. This appliance is equipped with a cord having an equipment-grounding conductor and grounding plug. The plug must be inserted into an appropriate outlet that is properly installed and grounded in accordance with all local codes and ordinances.

**WARNING** – Improper connection of the equipment-grounding conductor can result in a risk of electric shock. Check with a qualified electrician or service person if you are in doubt as to whether the outlet is properly grounded. Do not modify the plug provided with the appliance – if it will not fit the outlet, have a proper outlet installed by a qualified electrician.

This appliance is for use on a nominal 120-V circuit and has a grounding attachment plug that looks like the plug illustrated in sketch A in Figure 20. Make sure that the appliance is connected to an outlet having the same configuration as the plug. No adaptor should be used with this appliance.

**Sketch A Fig. 20**



## MAINTENANCE

Lubrication of this motor is not required as it is equipped with sealed bearings.

Always keep the air cooling intake screen free, not allowing any restriction of airflow. Airflow restriction will over and damage the motor.

To prolong the life of the HEPA filter, empty, clean, and replace bags and filters regularly as described in the following sections.

## STORAGE

Before storing your Nikro vacuum disconnect from electrical outlet.

The tank should be emptied and cleaned.

The cord should be coiled and stored so as not to create a tripping hazard.

The vacuum should be stored indoors.

## PACKAGING

Please do not discard any of the packaging until you have inspected the vacuum and it is operational.

Make sure the contents are intact and complete. If there are any missing parts please contact Nikro immediately.

## CONTENTS

### 1 - #LV15 – 15 Gallon HEPA Filtered Vacuum

#### 1 - #LVK200 Tool Kit:

#861975– 1 ½" x 10' Hose Assembly

#520454 – 2 PC Double Bend Wand

#520455 – 11" Crevice Tool

#520649 – 14" Plastic Gulper Tool

#560016 – 10" Floor & Wall Brush Tool

#520112 – 3" Round Dust Brush



#861972 – 11" Rotary Beater Brush Carpet Tool w/Wand

#### 1 - #LVK300 Tool Kit For LVW15

Same as LVK200 with

#520340– 14" Plastic Squeegee Tool



#### Replacement Filters:

4 - #520032 – Collection Bags (1 installed in vacuum)

1 - #520210 – Dacron Filter Bag (Installed in Vacuum)

3 - #520316 – Impaction Filters (1 installed in vacuum)

1 - #520307 – HEPA Filter (Installed in vacuum)

## TANK AND FILTER PREPARATION

1. Layout the paper collection bag (#520032) and fold back the side closest to the opening. (See Photo 1a) Place the paper collection bag (#520032) into the bottom of the tank. Pull the cardboard/rubber collar over the down tube, pulling it just above the rib on the down tube. Then gently pull apart the accordion-like pleats so that the bag is open. (See Photo 1b)



2. Make sure the impaction prefilter (#520316P) is in proper placement over the HEPA filter, make sure that it covers the entire surface area of the HEPA filter. (See Photo 2)



3. Take the non-clinging dacron bag (#520210) and pull the elastic band up over the filter protector cage and the HEPA filter, and let the elastic band rest securely on the motor port of the lid assembly, above the HEPA filter flange. (See Photo 3)



4. Place the lid assembly (with the HEPA filter securely bolted in place) onto the tank and snap the latches into place. (See procedure for changing the HEPA filter section of this manual) (See Photo 4)



5. Vacuum is ready for use. Plug in vacuum. On/Off switch is located on the motor dome.

## FILTER MAINTENANCE AND REPLACEMENT INSTRUCTIONS

**Warning:** When a loss of vacuum power is detected, the vacuum should be turned off immediately. Continued use of the machine could result in severe damage to the motor and/or HEPA filter. This loss of vacuum power could be caused by one of the following:

- A. The paper collection bag may be full and needs to be replaced.
- B. The tank may be full and needs to be emptied.
- C. The wand, hose, or down tube may be clogged and needs to be cleared.
- D. The impaction prefilter may be clogged and needs to be replaced. (Never try to clean the impaction prefilter, it should be discarded.) See section on changing the impaction prefilter.
- E. The Dacron bag may be clogged and needs to be cleaned or replaced.
- F. The HEPA filter may be clogged and needs to be replaced.

To prolong the life of the HEPA filter and motor, the paper collection bag should be changed when it is 1/2 full. The filter protector and impaction prefilter should be changed at least every other time that the collection bag is changed

## PROCEDURES FOR REMOVING CONTAMINATED FILTERS

### Caution:

When removing contaminated filters or using this machine, you should always wear gloves, clothing and a respirator approved for the particular contaminant that you are working with.

### FILTER REMOVAL PROCEDURES

1. Turn off and unplug machine
2. Slowly and carefully lift one side of the lid assembly from the tank. Holding the lid with one hand, reach under the lid and gently tap all around the dacron filter bag, allowing any loose dust particles to drop into the tank.
3. Carefully lift the lid assembly off the tank and slide the Dacron bag off the lid assembly. With a damp rag, wipe underside of the lid assembly. Set aside and dispose of rag properly. (Never set the lid assembly down on the HEPA filter).
4. Remove the impaction prefilter. (by sliding it off the end of the HEPA filter). Dispose of contaminated filters properly.
5. Take the collar of the paper collection bag and carefully slide it down and off the down tube and remove the collection bag from the tank. Dispose of properly.
6. Take a damp rag and wipe down the inside of the tank. Dispose of contaminated rag properly.
7. All hazardous waste must be disposed of properly. Never put contaminated debris in a regular trash container. All debris must be placed in a properly labeled bag or container, and should be removed by a licensed waste hauler. Check with Federal, State, and Local officials for proper handling and disposal of the waste you are handling.

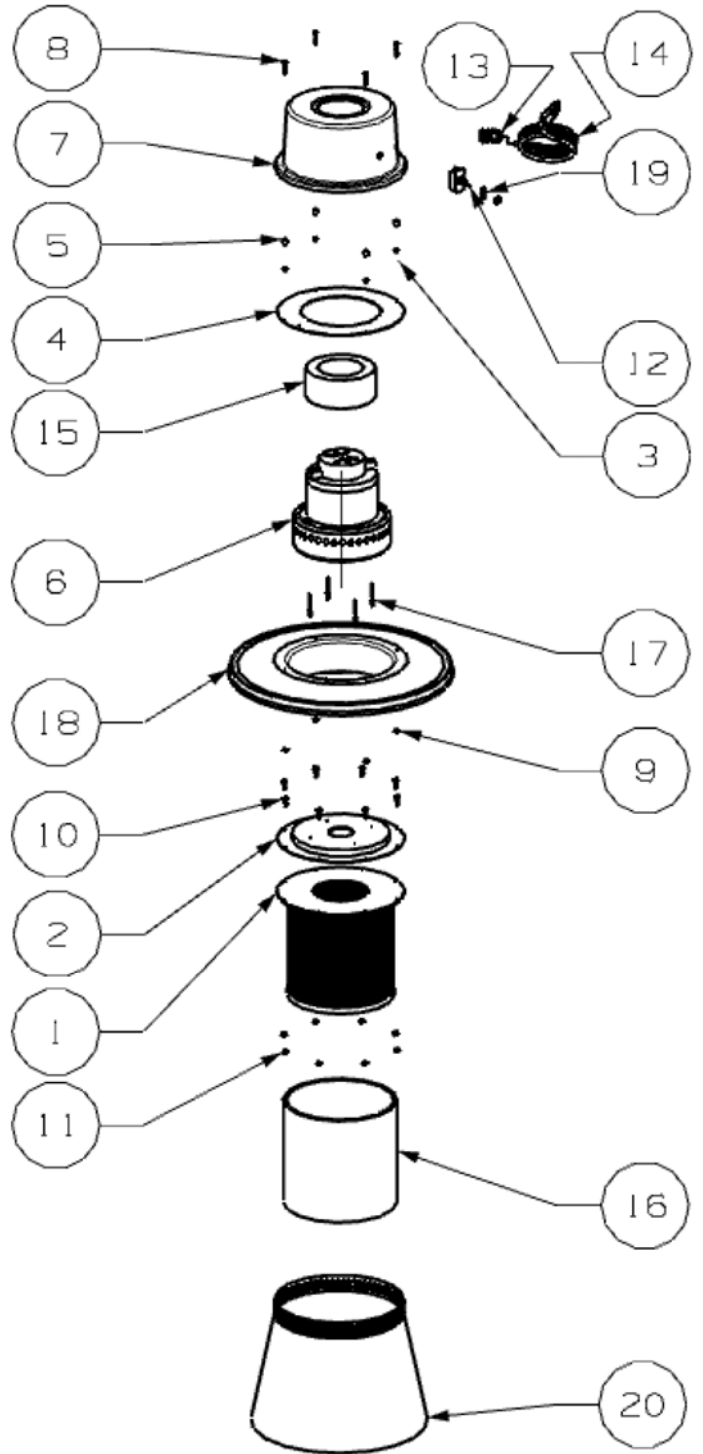
### CONSULT PROPER AUTHORITIES FOR REGULATIONS REGARDING DISPOSAL OF FILTERS AND DEBRIS

#### PROCEDURE FOR CHANGING THE HEPA FILTER (#520307)

1. The precautionary steps described in this manual should be used when changing the HEPA filter.
2. NOTE: You must follow Local and or Federal guidelines when working with contaminated filters.
3. Remove the eight (8) bolts holding the HEPA filter to the filter mounting plate, using a Phillips screw driver and a 11/32" wrench.
4. Carefully remove the HEPA filter from the filter mounting plate, being careful not to create any airborne dust.
5. This filter cannot be cleaned, and should be disposed of in an appropriate manner.
6. Re-install the new HEPA filter securely tightening the eight screws, nuts, lock washers, and flat washers.
7. Replace the impaction filter, on the HEPA filter.



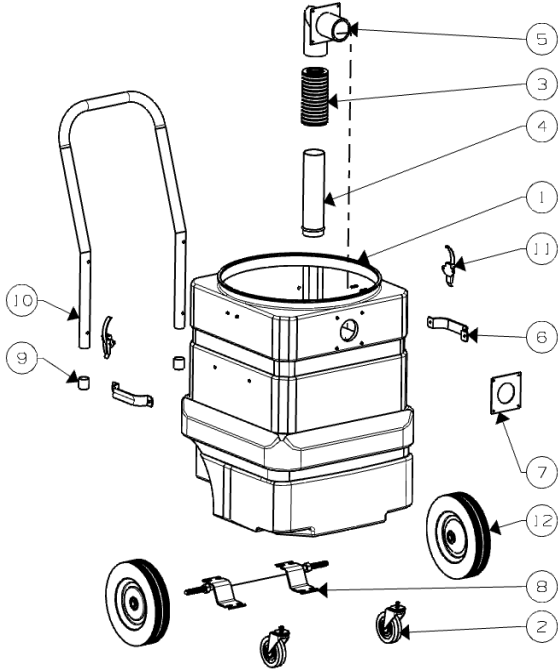
# 15 GALLON LID ASSEMBLY



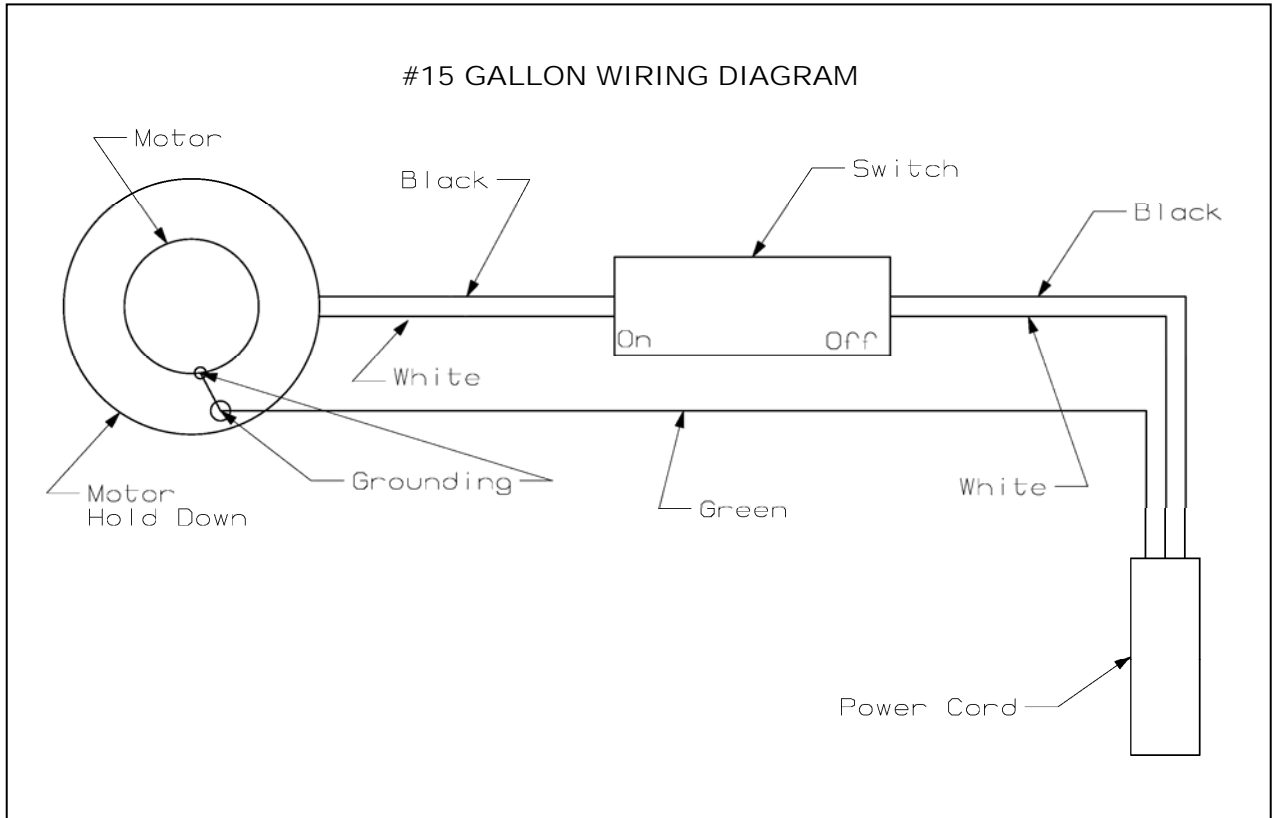
PC NO	PART NO	PART NAME	QTY
1	520307	HEPA FILTER	1
2	520367	FILTER MOUNTING PLATE	1
3	520215	SMALL SPACER	4
4	862002	MOTOR HOLD DOWN	1
5	520214	LARGE SPACER	4
6	861992	MOTOR	1
7	520001	DOMES	1
8	861761	8-32 X 1 SCREW	4
9	861537	8-32 NYLON LOCKNUT	4
10	862092	10-32 X 5/8 HEX HEAD FLANGE BOLT	8
11	861770	10-32 NYLON LOCKNUT	8
12	520015	SWITCH	1
13	520013	ELECTRICAL CORD STRAIN RELIEF	1
14	520010	ELECTRICAL CORD	1
15	520016	FOAM RING	1
16	520316	IMPACTION FILTER	1
17	861422	RIVET	4
18	520008	LID	1
19	860170	SWITCH ON/OFF LABEL	1
20	520210	DACRON BAG	1



# 15 GALLON TANK ASSEMBLY



PC NO	PART NO	PART NAME	QTY
1	860802	15 GAL TANK - POLY	1
2	860804	15 GAL CASTER WHEEL	2
3	860468	DOWN TUBE COUPLER	1
4	860360	DOWN TUBE	1
5	862000	INTAKE	1
6	520220	SIDE HANDLES	2
7	520216	INTAKE GASKET	1
8	860584	WHEEL MOUNTING BRACKET	1
9	861548	HANDLE END CAP	2
10	860550	HANDLE	1
11	860803	LID LATCH	2
12	520227	REAR WHEEL	2



## OPTIONAL WET PICK-UP CONVERSION

1. Remove all paper filters from the vacuum tank assembly and remove the lower portion of the down tube. (See Photo 1)
2. Place the water shut-off float assembly onto the tank. Make sure the rubber gasket on the float plate is seated on the top rim of the tank (See Photo 2)
3. Next place the water pick-up sleeve assy. on top of the tank assy. Align the latch strikes on the sleeve with the latches on the tank and securely snap latches into place. (See Photo 3)
4. Place the motor & lid assembly with the Dacron bag onto the water shut-off sleeve. Snap the two lid latches into place. (See Photo 4)
5. Unit is ready for wet/pick-up.



### **WARNING:**

For safe and proper water pick-up, the conversion assy. must be assembled exactly as shown.

### **IMPORTANT:**

When converting for wet pick-up, the upper clamp on the down tube coupler (located in the tank assy.) must be loosened and bottom half of the tube removed; this will prevent water from splashing up on the HEPA filter. (See Photo 1)

### **NOTE:**

**The #860818 WET PICK-UP CONVERSION KIT IS NOT INCLUDED WITH THE LV15 HEPA VACUUM AND MUST BE ORDERED SEPARATELY.**

## WARRANTY

Nikro HEPA Vacuums are warranted for 2 years from the date delivered to the original end user and may not be assigned or transferred.

Parts, which become defective due to faulty workmanship or materials during normal use in this period will be repaired or exchanged at no charge if returned and approved by an authorized Nikro service center. All replaced or repaired parts shall only be warranted for the remainder of the original two year warranty period.

After the expiration of the two year warranty. All warranties on this unit including fitness for a proposed usage or purpose will become void.

The end user shall be responsible for freight charges incurred to deliver warranted product to an approved Nikro service center. Nikro shall be responsible for freight charges incurred in returning unit to customer, but not to exceed the original freight charges to customer.

It shall be wholly Nikro's decision to repair, replace or refund the purchase price of any such defective goods.

This warranty does not apply to normal wear and tear, neglect, misuse, abuse or incorrect installation. If any other replacement parts, filters or attachments are used other than original Nikro parts, this warranty will become void.

Nikro disclaims responsibility for loss of production, profits, goodwill or any other costs that may indirectly occur due to the failure of this product.

## H.E.P.A. FILTER STANDARDS AND CERTIFICATION

Nikro H.E.P.A. filtered vacuums are built in accordance with ANSI Z9.2 standards.

All Nikro H.E.P.A. filters are manufactured and individually tested using the MIL-STD 282 D.O.P. test, or the IEST-RP-CC-001.3 test method.

Each filter is tested and certified to have a minimum efficiency of 99.97% @ 0.3 micron particles. All filters are then individually labeled and registered by the manufacturer.

All H.E.P.A. filters used in Nikro equipment meet, and in most cases, exceed the minimum standard of 99.97% efficiency @ 0.3 micron particles, and comply with OSHA and EPA standards for cleaning the air of toxic and nuisance dust such as mold, lead and asbestos.

## ELECTRICAL CERTIFICATION



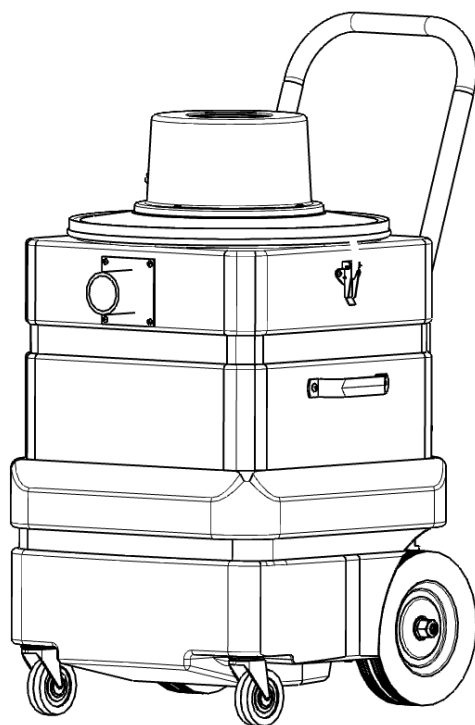
**ETL LISTED  
CONFORMS TO UL STD 1017  
CERTIFIED TO CAN/CSA STD C22.2 NO. 243**



# ASPIRATEUR À FILTRE HEPA DE 57 LITRES (15 GALLONS)

MODÈLES N° LV15 et LVW15

## MODE D'EMPLOI





Tous les produits de Nikro Industries Inc. qui ont des taux d'efficacité de 99,97 % @ 0,3 microns et/ou de 99,99 % @ 0,3 microns, ont des filtres HEPA qui ont été testés individuellement afin d'assurer le respect de ces niveaux minimaux d'efficacité.

Bien que les filtres aient fait l'objet d'essais préalables, la possibilité de fuites ou de défaillance du filtre en raison de la manipulation, du transport, de perforations, de filtres pleins, de l'humidité, de l'usure, etc. existe.

Par conséquent, lors de l'utilisation de cet équipement dans des zones très sensibles ou lorsque tout dégagement de particules supérieur aux niveaux minimaux d'efficacité serait néfaste et nuisible pour les êtres humains, les végétaux ou les biens ; il est fortement recommandé que les unités soient testées avant leur utilisation.

Cela permet de s'assurer qu'elles maintiennent les niveaux d'efficacité de filtration pour lesquels elles ont été conçues.

**NE PAS LE FAIRE PEUT PORTER GRAVEMENT PRÉJUDICE À LA VIE HUMAINE, AUX VÉGÉTAUX ET/OU AUX BIENS.**

**“ LIRE ET CONSERVER CES INSTRUCTIONS ”**

**RISQUE D'INCENDIE, DE CHOC ÉLECTRIQUE OU DE BLESSURES**

1115 N. Ellsworth Ave., Villa Park, IL 60181  
Téléphone : 630-530-0558 TÉLÉCOPIE : 630-530-0740 Sans frais : 800-875-6457

## INSTRUCTIONS IMPORTANTES SUR LA SÉCURITÉ

Lors de l'utilisation d'un appareil électrique, veuillez toujours respecter les précautions élémentaires, y compris les suivantes:

### **LIRE TOUTES LES INSTRUCTIONS**

### **AVANT D'UTILISER (CET APPAREIL)**

**AVERTISSEMENT** – Pour réduire le risque d'incendie, de choc électrique, ou de blessures:

23. Ne pas laisser l'appareil sans surveillance lorsqu'il est branché. Débrancher l'appareil de la prise lorsqu'il n'est pas utilisé et avant d'entreprendre tout entretien.
24. Ne pas utiliser à l'extérieur ou sur des surfaces humides.
25. Ne pas permettre l'utilisation comme jouet. Une attention particulière est nécessaire lors de l'utilisation par ou à proximité d'enfants.
26. Utiliser uniquement de la manière décrite dans ce mode d'emploi. Utiliser uniquement les accessoires recommandés par le fabricant.
27. Ne pas utiliser avec un cordon ou une prise endommagée. Si l'appareil ne fonctionne pas comme prévu, est tombé, a été endommagé, laissé à l'extérieur, ou est tombé dans l'eau, le retourner à un centre de service.
28. Ne pas tirer ou porter par le cordon, utiliser le cordon comme poignée, coincer le cordon dans une porte, ou tirer le cordon autour de bords ou d'arêtes vives. Ne pas faire passer l'appareil sur le cordon. Garder le cordon à l'écart de toute surface chauffée.
29. Ne pas débrancher en tirant sur le cordon. Pour débrancher, saisir la fiche, pas le cordon.
30. Ne pas manipuler la prise ou l'appareil avec les mains mouillées.
31. Ne mettre aucun objet dans les ouvertures. Ne pas utiliser avec une ouverture bloquée; maintenir exempt de poussière, peluches, cheveux, et de quoi que ce soit qui pourrait réduire le flux d'air.
32. Garder les cheveux, vêtements amples, doigts, et toutes les parties du corps à l'écart des ouvertures et pièces en mouvement.
33. Éteindre tous les commandes avant le débranchement.
34. Faire très attention lors du nettoyage sur des escaliers.
35. Ne pas utiliser pour aspirer des liquides inflammables ou combustibles, tels que de l'essence, ou dans des zones où ils peuvent être présents.
36. "Brancher à une prise correctement mise à la terre uniquement. Voir les instructions de mise à la terre."
37. "Ne pas ramasser quoi que ce soit qui brûle ou fume, tel que des cigarettes, des allumettes ou des cendres chaudes."
38. "Ne pas utiliser sans sac à poussière et/ou filtre en place."
39. Ne pas enrouler le cordon autour de la coupelle. Enrouler le cordon autour de la coupelle empêchera le moteur de s'évacuer correctement et entraînera une surchauffe et endommagera le moteur.
40. Cet aspirateur ne doit jamais être utilisé dans des zones à risque d'explosion ou pour ramasser des liquides combustibles ou inflammables tels que de l'essence, etc.
41. Cet aspirateur ne doit jamais être utilisé sans les filtres appropriés installés de la manière décrite aux pages suivantes de ce mode d'emploi.
42. Cette machine doit uniquement être entretenue par un technicien agréé.
43. Cet aspirateur est conçu pour un usage commercial uniquement.
44. Utiliser uniquement les pièces de rechange et accessoires d'origine de NIKRO.

## MODE D'EMPLOI

### INSPECTION

Inspecter soigneusement votre machine à la recherche de tout signe d'endommagement au cours du transport. Votre machine a déjà fait l'objet d'essais rigoureux à l'usine de fabrication de Nikro Industries avant l'expédition.

### SPÉCIFICATIONS ÉLECTRIQUES

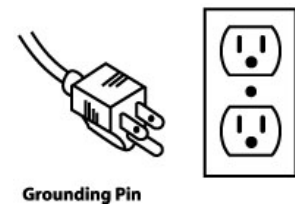
Cette machine est conçue pour fonctionner sur un circuit CA de 15 A, 115 V, 60 Hz. Tout écart par rapport à ces spécifications pourrait entraîner des dégâts importants à l'unité.

### INSTRUCTIONS DE MISE À LA TERRE

Cet appareil doit être mis à la terre. Dans le cas d'une défaillance ou d'une panne, la mise à la terre offre un passage de moindre résistance au courant électrique afin de réduire le risque de choc électrique. Cet appareil est livré avec un cordon doté d'un conducteur de mise à la terre et une prise de mise à la terre. La fiche doit être insérée dans une prise appropriée qui est installée correctement et mise à la terre conformément à tous les codes et règlements locaux.

**AVERTISSEMENT** – Un mauvais raccordement du conducteur de mise à la terre de l'équipement peut entraîner un risque de choc électrique. Consulter un électricien ou technicien qualifié en cas de doute quant à savoir si la prise est correctement mise à la terre. Ne pas modifier la fiche fournie avec l'appareil – si elle ne s'insère pas dans la prise, faire installer une prise appropriée par un électricien qualifié.

**Schéma A Figure 20**



Cet appareil est destiné à une utilisation sur un circuit nominal de 120 V et dispose d'une fiche de terre qui ressemble à la fiche illustrée sur le schéma A de la figure 20. S'assurer que l'appareil est branché à une prise ayant la même configuration que la fiche. Aucun adaptateur ne doit être utilisé avec cet appareil.

### MAINTENANCE

La lubrification de ce moteur n'est pas requise car il est équipé de roulements étanches.

Garder toujours la grille d'entrée de refroidissement d'air dégagée, en ne permettant aucune restriction du flux d'air. Une restriction du flux d'air entraînera une surchauffe et endommagera le moteur.

Pour prolonger la durée de vie du filtre HEPA, vider, nettoyer, et remplacer les sacs et filtres régulièrement comme décrit dans les sections suivantes.

### RANGEMENT

Avant de ranger votre aspirateur NIKRO, le débrancher de la prise électrique.

Le réservoir doit être vidé et nettoyé.

Le cordon doit être enroulé et rangé de manière à ne pas entraîner un risque de trébuchement.

L'aspirateur doit être rangé à l'intérieur.

## EMBALLAGE

Veillez ne jeter aucun élément de l'emballage tant que vous n'avez pas inspecté l'aspirateur et qu'il n'est pas opérationnel.

Assurez-vous que le contenu est intact et complet. Si des pièces manquent, veuillez contacter Nikro immédiatement.

## CONTENU

### 1 - N° LV15 – Aspirateur à filtre HEPA de 57 litres (15 gallons)

#### 1 - N° LVK200 Trousse à outils :

N° 861975– Flexible de raccordement 4 cm x 3 m (1 ½" x 10')

N° 520454 – Tube rallonge à double courbure 2 pièces

N° 520455 – Suceur plat de 28 cm (11")

N° 520649 – Outil à embout large en plastique de 35,5 cm (14")

N° 560016 – Outil à brosse pour murs et sols de 25 cm (10")

N° 520112 – Brosse à dépeussierer ronde de 7,5 cm (3")

N° 861972 – Outil à brosse de battage rotative pour tapis de 28 cm (11") avec tube rallonge

#### 1 - N° LVK300 Trousse à outils pour LVW15

Identique à celle destinée au modèle LVK200 avec

N° 520340– Raclette en plastique de 35,5 cm (14")

#### Filtres de rechange :

4 - N° 520032 – Sacs de récupération (1 installé dans l'aspirateur)

1 - N° 520210 – Sac-filtre Dacron (installé dans l'aspirateur)

3 - N° 520316 – Filtres à impact (1 installé dans l'aspirateur)

1 - N° 520307 – Filtre HEPA (installé dans l'aspirateur)





## PRÉPARATION DU RÉSERVOIR ET DU FILTRE

6. Étendre le sac de récupération en papier (n° 520032) et rabattre le côté le plus proche de l'ouverture. (Voir Photo 1a) Placer le sac de récupération en papier (n° 520032) dans le fond du réservoir. Tirer le collier en carton/caoutchouc sur le tube diagonal, en le tirant juste au-dessous de la nervure sur le tube diagonal. Tirer ensuite doucement sur les plis en accordéon pour les séparer afin que le sac soit ouvert. (Voir Photo 1b)



7. S'assurer que le pré-filtre à impact (n° 520316P) est correctement placé au-dessus du filtre HEPA et s'assurer qu'il couvre toute la surface du filtre HEPA. (Voir Photo 2)



8. Prendre le sac dacron non adhérent (n° 520210) et tirer la bande élastique au-dessus de la cage du protecteur de filtre et du filtre HEPA, et laisser la bande élastique appuyer fermement sur l'orifice du moteur situé sur le couvercle, au-dessus de la bride du filtre HEPA. (Voir Photo 3)



9. Placer l'ensemble du couvercle (avec le filtre HEPA solidement fixé) sur le réservoir et enclencher les loquets en place. (Consulter la section de ce mode d'emploi relative à la procédure de remplacement du filtre HEPA) (Voir Photo 4)



10. L'aspirateur est prêt à l'emploi. Brancher l'aspirateur. L'interrupteur Marche/Arrêt (« On/Off ») se trouve sur la coupelle du moteur.

## INSTRUCTIONS D'ENTRETIEN ET DE REMPLACEMENT DU FILTRE

**Avertissement:** Lorsqu'une perte de la puissance d'aspiration est détectée, l'aspirateur doit être éteint immédiatement. L'utilisation continue de la machine pourrait entraîner des dégâts importants au moteur et/ou au filtre HEPA. Cette perte de la puissance d'aspiration pourrait être provoquée par l'un ou plusieurs des facteurs suivants:

- A. Le sac de récupération en papier est peut-être plein et doit être remplacé.
- B. Le réservoir est peut-être plein et doit être vidé.
- C. Le bras, tuyau, ou tube diagonal est peut-être bouché et doit être nettoyé.
- D. Le pré-filtre à impact peut être bouché et doit être remplacé. (Ne jamais tenter de nettoyer le filtre à impact, il doit être jeté.) Consulter la section relative au remplacement du pré-filtre à impact.
- E. Le sac Dacron est peut-être bouché et doit être nettoyé ou remplacé.
- F. Le filtre HEPA est peut-être bouché et doit être remplacé.

Pour prolonger la durée de vie du moteur et du filtre HEPA, le sac de récupération en papier doit être changé lorsqu'il est à moitié plein. Le protecteur de filtre et le pré-filtre à impact doivent être remplacés au moins une fois sur deux lors du remplacement du sac de récupération.

## PROCÉDURES DE RETRAIT DES FILTRES CONTAMINÉS

### Mise en garde:

Lors du retrait de filtres contaminés ou de l'utilisation de cette machine, vous devez toujours porter des gants, vêtements et un respirateur approuvé pour le contaminant particulier avec lequel vous travaillez.

### PROCÉDURES DE RETRAIT DU FILTRE

8. Éteindre et débrancher la machine.
9. Soulever lentement et soigneusement un côté de l'ensemble du couvercle du réservoir. En tenant le couvercle avec une main, passer l'autre main sous le couvercle et tapoter doucement autour du sac-filtre dacron afin de permettre aux particules de poussière de tomber dans le réservoir.
10. Soulever soigneusement l'ensemble du couvercle du réservoir et détacher le sac Dacron en le faisant glisser hors de l'ensemble du couvercle. À l'aide d'un chiffon humide, essuyer le dessous de l'ensemble du couvercle. Mettre de côté et éliminer correctement le chiffon. (Ne jamais poser l'ensemble du couvercle sur le filtre HEPA).
11. Enlever le pré-filtre à impact (en le faisant glisser hors de l'extrémité du filtre HEPA). Éliminer correctement les filtres contaminés.
12. Saisir le collier du sac de récupération en papier et le faire glisser soigneusement vers le bas pour le détacher du tube diagonal et retirer le sac de récupération du réservoir. Éliminer de manière appropriée.
13. Prendre un chiffon humide et essuyer l'intérieur du réservoir. Éliminer le chiffon contaminé correctement.
14. Tout déchet dangereux doit être éliminé correctement. Ne jamais mettre de débris contaminés dans une poubelle normale. Tout débris doit être placé dans un sac ou récipient correctement étiqueté, et doit être retiré par un transporteur de déchets détenteur des permis appropriés. Vérifier les procédures de manipulation et d'élimination correctes des déchets que vous manipulez auprès des autorités fédérales, étatiques, et locales.

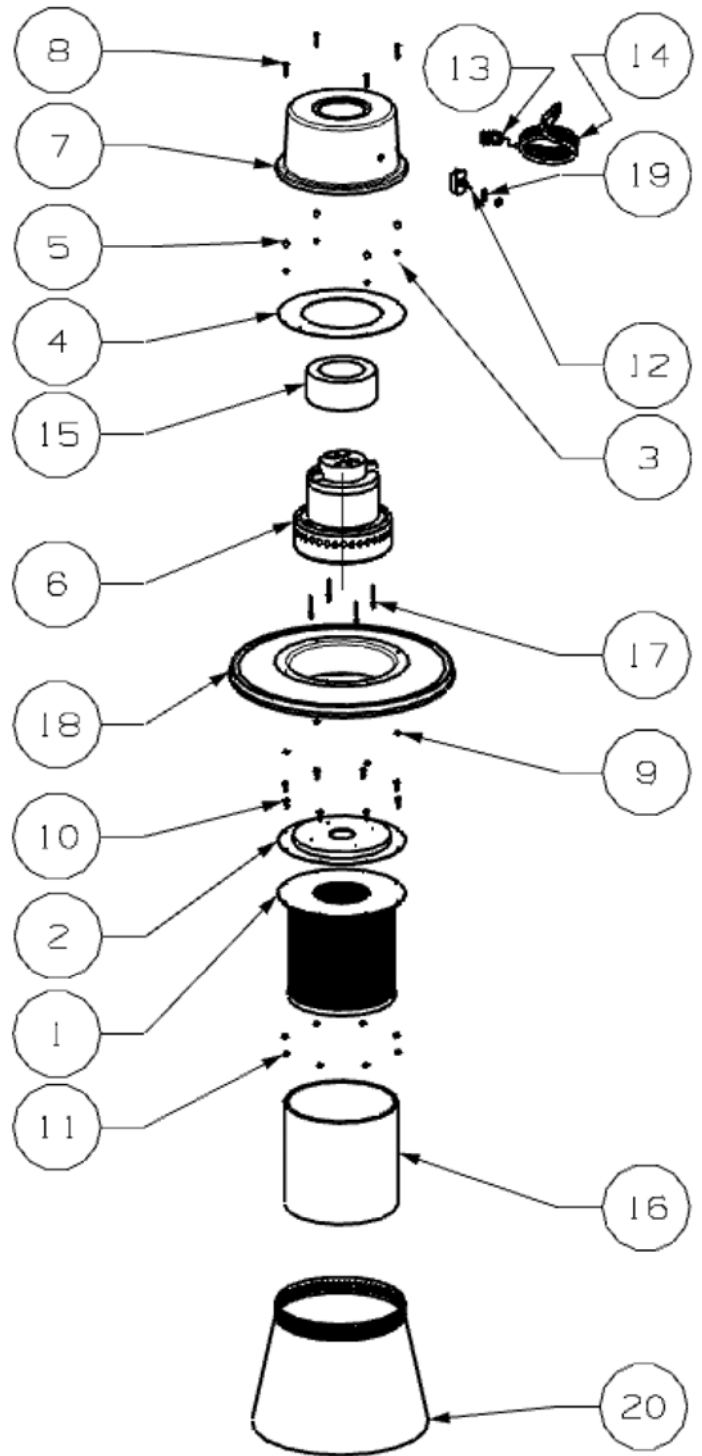
### CONSULTER LES AUTORITÉS COMPÉTENTES POUR CONNAÎTRE LES RÉGLEMENTATIONS RELATIVES À L'ÉLIMINATION DES FILTRES ET DES DÉBRIS

#### PROCÉDURE DE REMPLACEMENT DU FILTRE HEPA (N° 520307)

8. Les mesures de précaution décrites dans ce mode d'emploi doivent être prises lors du remplacement du filtre HEPA.
9. REMARQUE : Vous devez respecter les lignes directrices locales ou fédérales lorsque vous travaillez avec des filtres contaminés.
10. Démonter les huit (8) boulons qui fixent le filtre HEPA sur la plaque de montage du filtre, à l'aide d'un tournevis Phillips et d'une clé de 11/32".
11. Retirer soigneusement le filtre HEPA de la plaque de montage du filtre, en faisant attention à ne pas créer de poussière en suspension.
12. Ce filtre ne peut pas être nettoyé, et doit être éliminé de manière appropriée.
13. Réinstaller le nouveau filtre HEPA en serrant fermement les huit vis, écrous, rondelles freins et rondelles plates.
14. Remplacer le filtre à impact, sur le filtre HEPA.

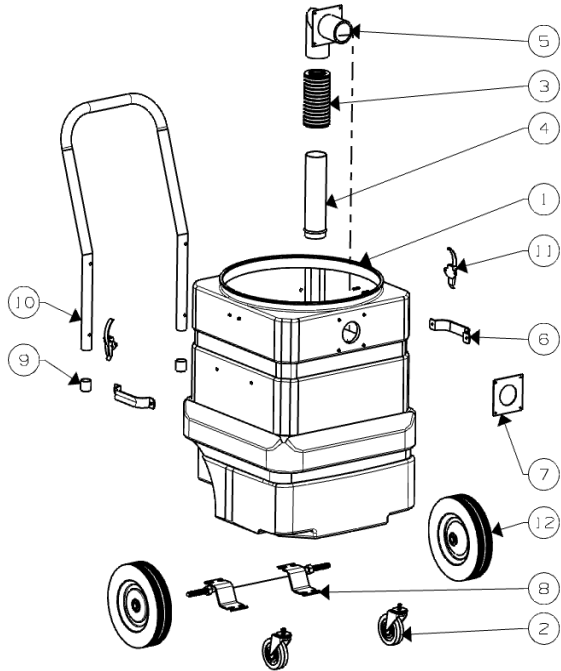


## ENSEMBLE DU COUVERCLE DE 57 LITRES (15 GALLONS)



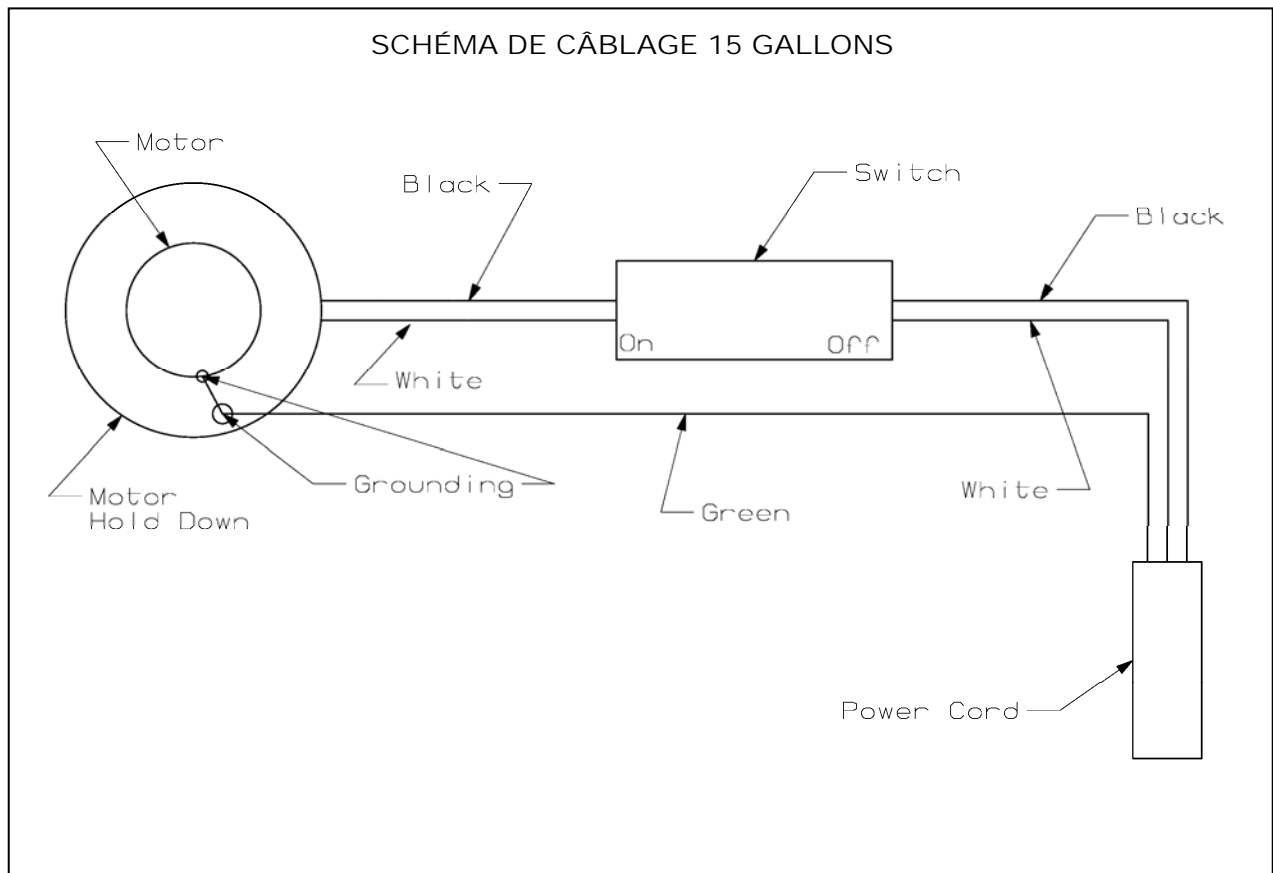
N° DE PIÈCE	CODE ARTICLE	NOM DE LA PIÈCE	QTÉ
1	520307	FILTRE HEPA	1
2	520367	PLAQUE DE MONTAGE DU FILTRE	1
3	520215	PETITE ENTRETOISE	4
4	862002	FIXATION DU MOTEUR	1
5	520214	GRANDE ENTRETOISE	4
6	861992	MOTEUR	1
7	520001	COUPELLE	1
8	861761	VIS 8-32 X 1	4
9	861537	ÉCROU AUTO-BLOQUANT EN NYLON 8-32	4
10	862092	BOULON DE BRIDE À TÊTE HEXAGONALE 10-32 X 5/8	8
11	861770	ÉCROU AUTO-BLOQUANT EN NYLON 10-32	8
12	520015	INTERRUPTEUR	1
13	520013	SERRE-CÂBLE DU CORDON ÉLECTRIQUE	1
14	520010	CORDON ÉLECTRIQUE	1
15	520016	ANNEAU EN MOUSSE	1
16	520316	FILTRE À IMPACT	1
17	861422	RIVET	4
18	520008	COUVERCLE	1
19	860170	ÉTIQUETTE DE L'INTERRUPTEUR MARCHÉ/ARRÊT	1
20	520210	SAC DACRON	1

## ENSEMBLE DU RÉSERVOIR DE 57 LITRES (15 GALLONS)



N° DE PIÈCE	CODE ARTICL E	NOM DE LA PIÈCE	QTÉ
1	860802	RÉSERVOIR 15 GAL - POLY	1
2	860804	ROULETTES PIVOTANTES 15 GAL	2
3	860468	RACCORD DU TUBE DIAGONAL	1
4	860360	TUBE DIAGONAL	1
5	862000	ASPIRATION	1
6	520220	POIGNÉES LATÉRALES	2
7	520216	JOINT D'ASPIRATION	1
8	860584	SUPPORT DE MONTAGE DE ROUE	1
9	861548	CAPUCHON DE POIGNÉE	2
10	860550	POIGNÉE	1
11	860803	LOQUET DU COUVERCLE	2
12	520227	ROUE ARRIÈRE	2

## SCHÉMA DE CÂBLAGE 15 GALLONS



## CONVERSION POUR RÉCUPÉRATION DE LIQUIDES EN OPTION

6. Retirer tous les filtres en papier de l'ensemble du réservoir d'aspiration et retirer la partie inférieure du tube diagonal. (Voir Photo 1)
7. Placer l'ensemble de fermeture à flotteur sur le réservoir. S'assurer que le joint en caoutchouc sur la plaque du flotteur repose sur le bord supérieur du réservoir (voir Photo 2)
8. Placer ensuite l'ensemble du manchon de récupération de liquides sur le haut du réservoir. Aligner les gâches de loquet sur le manchon avec les loquets situés sur le réservoir et enclencher les loquets. (Voir Photo 3)
9. Placer le moteur et l'ensemble du couvercle avec le sac Dacron sur le manchon de fermeture à flotteur. Enclencher les deux loquets en place. (Voir Photo 4)
10. L'unité est prête pour la récupération de liquides.



### **AVERTISSEMENT:**

Pour une récupération sûre et appropriée des liquides, l'ensemble de conversion doit être assemblé exactement comme illustré.

### **IMPORTANT:**

Lors de la conversion pour récupération de liquides, la bride supérieure sur le raccord du tube diagonal (situé sur l'ensemble du réservoir) doit être desserrée et la moitié inférieure du tube retirée ; cela évitera que l'eau n'éclabousse le filtre HEPA. (Voir Photo 1)

### **REMARQUE:**

**LE KIT DE CONVERSION POUR RÉCUPÉRATION DE LIQUIDES N° 860818 N'EST PAS INCLUS AVEC L'ASPIRATEUR HEPA LV15 ET DOIT ÊTRE COMMANDÉ SÉPARÉMENT.**

## GARANTIE

Les aspirateurs HEPA de Nikro sont garantis pour une période de 2 ans à partir de la date de livraison à l'utilisateur final d'origine et ne peuvent pas être cédés ni transférés.

Les pièces, qui s'avèrent défectueuses en raison d'un défaut matériel ou de fabrication dans le cadre d'une utilisation normale pendant cette période feront l'objet d'une réparation ou d'un échange sans frais si elles sont retournées et approuvées par un centre de service Nikro autorisé. Toutes les pièces remplacées ou réparées seront uniquement garanties pendant la période restante de la garantie originale de deux ans.

Après l'expiration de la garantie de deux ans. Toutes les garanties portant sur cette unité incluant l'adéquation à un usage ou objectif proposé seront annulées.

L'utilisateur final sera responsable des frais de transport encourus pour livrer le produit sous garantie à un centre de services Nikro approuvé. Nikro sera responsable des frais de transport encourus pour retourner l'unité au client, n'excédant cependant pas les frais de transport initiaux au client.

La décision de réparer, remplacer ou rembourser le prix d'achat de tels biens défectueux appartient entièrement à Nikro.

Cette garantie ne s'applique pas à l'usure normale, une négligence, mauvaise utilisation, un abus ou une installation incorrecte. Si des pièces de rechange, filtres ou accessoires autres que les pièces originales de Nikro sont utilisés, cette garantie sera annulée.

Nikro décline toute responsabilité à l'égard de la perte de production, profits, notoriété ou tous autres coûts qui peuvent découler indirectement de la défaillance de ce produit.

## NORMES ET CERTIFICATION DES FILTRES H.E.P.A.

Les aspirateurs à filtre H.E.P.A. de Nikro sont fabriqués conformément aux normes ANSI Z9.2.

Tous les filtres HEPA de Nikro sont fabriqués et testés individuellement au moyen de la méthode de test DOP MIL-STD 282 ou IEST-RP-CC-001.3.

Chaque filtre est testé et certifié pour un niveau d'efficacité minimale de 99,97 % @ 0,3 microns de particules. Les filtres sont ensuite étiquetés et enregistrés individuellement par le fabricant.

Tous les filtres HEPA utilisés dans les équipements de Nikro répondent à, et dans la plupart des cas, dépassent la norme minimale d'efficacité de 99,97 % @ 0,3 microns de particules, et respectent les normes OSHA et EPA en matière de nettoyage de l'air des poussières toxiques et nuisibles telle que la moisissure, le plomb et l'amiante.

## CERTIFICATION ÉLECTRIQUE



**CERTIFIÉ ETL  
CONFORME À LA NORME UL 1017  
CERTIFIÉ SELON LA NORME CAN/CSA C22.2 N° 243**